

Patents, Designs, and Trade Marks

SUPPLEMENT

TO THE

NEW ZEALAND GAZETTE

OF

THURSDAY, APRIL 4, 1912.

Published by Authority.

WELLINGTON, THURSDAY, APRIL 4, 1912.

CONTENTS.

	Page
International and Intercolonial Arrangements for the Mutual Protection of Patents and Trade Marks ..	1261
Specifications open to Public Inspection before Acceptance	1262
Applications for Letters Patent filed	1262
Complete Specifications filed after Provisionals ..	1263
Complete Specifications accepted	1263
Erratum	1267
Provisional Specifications accepted	1267
Letters Patent sealed	1267
Letters Patent on which Fees have been paid ..	1267
Subsequent Proprietors of Letters Patent registered ..	1268
Request for Correction of Clerical Error in Application for Letters Patent	1268
Request for Amendment of Specification allowed ..	1268
Application for Letters Patent opposed	1268
Applications for Letters Patent abandoned	1268
Applications for Letters Patent void	1268
Applications for Letters Patent lapsed	1268
Letters Patent void	1268
Applications for Trade Marks filed	1268
Applications for Registration of Trade Marks ..	1269
Trade Marks registered	1272
Trade Mark Renewal Fees paid	1272
Trade Marks removed from the Register	1272
Subsequent Proprietors of Trade Marks registered ..	1272
Application for Trade Mark opposed	1272
Request for Correction of Clerical Error in Application for Trade Mark	1272

International and Intercolonial Arrangements for the Mutual Protection of Patents and Trade Marks.

INTERNATIONAL CONVENTION.

THE following countries now belong to the Convention :—

Australia.	Hungary with Bosnia and Herzegovina.
Austria.	Italy.
Belgium.	Japan.
Brazil.	Mexico.
Ceylon.	New Zealand.
Cuba.	Norway.
Denmark and Faroe Islands.	Portugal, with the Azores and Madeira.
Dominican Republic.	Servia.
France, with Algeria and colonies.	Spain.
Germany.	Sweden.
Great Britain.	Switzerland.
Holland, with East Indian colonies, Curaçoa, and Surinam.*	Trinidad and Tobago.
	Tunis.
	United States of America.

* Trade marks only.

Separate arrangements have been made between Australia and New Zealand.

Particulars of the Convention and of such arrangements may be seen in the following *Gazettes* :—

Notification of adhesion of New Zealand to the Convention, with text thereof (in English), in the *Gazette* of 26th November, 1891; notification of adherence of New Zealand to the Additional Act of the Convention, in *Patents Supplement to Gazette* No. 101, of the 16th November, 1905; Order in Council applying section 103 of the Imperial Act to New Zealand, in *Gazette* No. 27, of the 15th May, 1890; Orders in Council containing arrangements between Australia and New Zealand, in *Patent Supplements to the Gazette* Nos. 22, of the 9th March, 1905, and 38, of the 20th April, 1905.

Patents, Designs, and Trade Marks Act, 1911.

LEAFLET compiled for foreign distribution with reference to new Act, and containing besides, brief notes on New Zealand and its industries, particulars of flax bonus, extracts from tariff, &c., may be had free on application.

Specifications open to Public Inspection before Acceptance.

(In accordance with the arrangements made between Australia and New Zealand.)

[The specifications may be inspected at the Patent Office, Wellington, on payment of a search fee of 1s. per hour.]

(NOTE.—The date given is the prior date applied for.)

N O. 30838.—22nd March, 1911.—C. L. Menzel, life-belt.

No. 30998.—16th March, 1911.—R. T. Park, jun., chaff bagging and compressing.

Applications for Letters Patent filed.

LIST of applications for Letters Patent filed. (Where a complete specification accompanies an application an asterisk is affixed; in all other cases a provisional specification has been lodged. In all cases where the applicant is not the inventor the name of the latter appears in italics in brackets. † Denotes an application under the International and Intercolonial Arrangements.)

Noy, E. H., Auckland, N.Z.	Wash-boiler and frame; 31041; 15th March.
Fort, G. D., Auckland, N.Z.	Wash-boiler and frame; 31041; 15th March.
Wilson, W. G., Dargaville, N.Z.	Opening toheroas; 31042; 15th March.
Branigan, W. J., Hamilton, N.Z.	Spouting-bracket*; 31043; 14th March.
Ommundsen, H., London, Eng.	Small-arm, &c., sighting*; 31044; 30th March, 1911.†
Newitt, E. J. D., London, Eng.	Small-arm, &c., sighting*; 31044; 30th March, 1911.†
Hollick, S. R., Westcliff-on-Sea, Eng.	Small-arm, &c., sighting*; 31044; 30th March, 1911.†
Schlaadt, H., jun., Dunedin, N.Z.	Bar intersecting*; 31045; 13th March.
Hutchinson, G. W., Walton, Waikato, N.Z.	Lever and quadrant rack*; 31046; 16th March.
Kennedy, R., Pollokshields, Scot.	Milk-conveyor*; 31047; 19th March.
Hoskins, G. J., Sydney, N.S.W.	Iron-pipe socket and spigot-ends trimming, &c.*; 31048; 19th March.
Friese-Greene, W., Brighton, Eng.	Reproduction of animated pictures*; 31049; 19th March.
Friese-Greene Patents, Limited, London, Eng.	Reproduction of animated pictures*; 31049; 19th March.
McDonald, H., Auckland, N.Z.	Washing-board; 31050; 19th March.
Stone, E. G., Sydney, N.S.W.	Concrete, &c., castings; 31051; 20th March.
Siddeley, E. J., Sydney, N.S.W.	Concrete, &c., castings; 31051; 20th March.
Gilberthorpe, G. L., Chatswood, N.S.W.	Fireproof blind, &c.*; 31052; 20th March.
Marshall, H. C., Chatswood, N.S.W.	Fireproof blind, &c.*; 31052; 20th March.
Laman, H., Sydney, N.S.W.	Hatpin*; 31053; 20th March.
Ozonair Limited, London, Eng.	Transforming continuous into intermittent currents* 31054; 23rd March, 1911.†
Joseph, E. L., London, Eng.	Transforming continuous into intermittent currents* 31054; 23rd March, 1911.†
Finlay, F., Petersham, N.S.W.	Roller skate*; 31055; 20th March.
Reid, G., Wellington, N.Z.	Milk-release; 31056; 20th March.
Johnston, G. G., Woolahra, N.S.W.	Leather-waterproofing*; 31057; 20th March.
McNab, N. S., Caulfield, Vic.	Postage-stamp-affixing machine*; 31058; 20th March.
Fyfe, J., Boort, Vic.	Bag-fastener*; 31059; 9th August, 1911.†
Solem, J., Onerahi, N.Z.	Hopper-barge; 31060; 21st March.
Moore, A., Christchurch, N.Z.	Hatpin; 31061; 20th March.
McGill, D., Petone, N.Z.	Cotton-wool production from flax; 31062; 21st March.
Brown, J., Auckland, N.Z.	Golf-ball; 31063; 21st March.
Harkness, B. G. A., Stratford, N.Z.	Vacuum pump and pulsator*; 31064; 21st March.
Sinclair, T. D., Hastings, N.Z.	Shearing-machine adapter*; 31065; 21st March.
O'Neill, P. S., Greymouth, N.Z.	Pneumatic wheel; 31066; 19th March.
Beban, A., Greymouth, N.Z.	Pneumatic wheel; 31066; 19th March.
Sherwood-King, H. F., Wellington, N.Z.	Curtain-fastening; 31067; 19th March.
Davis, J. E., Palmerston North, N.Z.	Block and pillar building*; 31068; 22nd March.
Fahey, C. P. F., Dunedin, N.Z.	Tap for kerosene-tin; 31069; 22nd March.
Macdonald, C. R., Auckland, N.Z.	Administering pills to animals; 31070; 21st March.
Macdonald, C. R., Auckland, N.Z.	Administering pills to animals; 31071; 21st March.
Donnelly, M., Woodlands, N.Z.	Garment-measure*; 31072; 21st March.
Clapcott, F. B., Auckland, N.Z.	Gate-fastener; 31073; 21st March.
Suttie, C., Waharoa, N.Z.	Flax-dressing machine; 31074; 21st March.
Wynyard, M. H., Auckland, N.Z.	Flax-dressing machine; 31074; 21st March.
Bird, W. H., Reporoa, N.Z.	Gate-fastener*; 31075; 22nd March.
Hardley, C. E., Auckland, N.Z.	Vacuum tank; 31076; 23rd March.
Hardley, C. E., Auckland, N.Z.	Broadcast spreader; 31077; 23rd March.
Nightingall, V. C. J., Melbourne, Vic.	Radiator; 31078; 26th March.
Cameron, J. A., Brooklyn, U.S.A.	Moving-picture machine*; 31079; 26th March.
Binnes, M., Manchester, Eng.	Vehicle wheel and tire*; 31080; 26th March.
Beswick, H., Manchester, Eng.	Vehicle wheel and tire*; 31080; 26th March.
Billington, R., Manchester, Eng.	Vehicle wheel and tire*; 31080; 26th March.
Shone, I., London, Eng.	Sewerage system*; 31081; 26th March.
James, H. W., Inglewood, N.Z.	Milk, &c., aerator and cooler; 31082; 26th March.
Fairhead, W., Palmerston North, N.Z.	Bench-cramp; 31083; 26th March.
Davey, T. H., Christchurch, N.Z.	Locomotive head-light; 31084; 27th March.
Godfree, E. G., Sandringham, Vic.	Telephone-system toll-recorder*; 31085; 3rd April, 1911.†
Mouat, M., Olahuu, N.Z.	Sanitary apparatus; 31086; 27th March.
Turnbull, A. P., Randwick, N.S.W.	Wind-motor speed-governor*; 31087; 28th April, 1911.†
Smith, D., Wellington, N.Z.	Soldering-iron, &c., heater; 31088; 27th March.
Munro, A. G., Bendigo, Vic.	Closet-seat sanitary device*; 31089; 27th March.
Ryan, R., Invercargill, N.Z.	Child's cradle; 31090; 26th March.
Macseikan, J., Melbourne, Vic.	Air-delivering to defrosting-chamber*; 31091; 1st September, 1911.†
Taylor, E. J., Highlandville, U.S.A.	Roller-bearing*; 31092; 28th March.
Light, A. H., Palmerston North, N.Z.	Menu, &c., card stand; 31093; 28th March.
Fairhead, W., Palmerston North, N.Z.	Clothes-peg; 31094; 28th March.
Peacocke, P. J. R., Auckland, N.Z.	Preserves, &c., manufacture; 31095; 26th March.
Humphrey, H. A., London, Eng.	Liquids raising, &c.*; 31096; 2nd June, 1911.†
Rusdell, W. J., Dudley, Eng.	Liquids raising, &c.*; 31096; 2nd June, 1911.†
Jacobsen, W., Dunedin, N.Z.	Street, &c., indicator; 31097; 28th March.
Cameron, J. D., Dunedin, N.Z.	Street, &c., indicator; 31097; 28th March.
Lough, F. J., Dunedin, N.Z.	Street, &c., indicator; 31097; 28th March.
Webster, O. B., De Land, U.S.A.	Stucco-applying*; 31098; 27th March.
Judkins, G. U., Christchurch, N.Z.	Spouting-bracket apparatus*; 31099; 27th March.
Longdill, C. P. W., Auckland, N.Z.	Trouser-braces; 31100; 29th March.
Cochrane, J., Auckland, N.Z.	Pasteurizer; 31101; 27th March.

Complete Specifications filed after Provisionals.

LIST of complete specifications filed after provisional specifications from the 15th to the 28th March, 1912, inclusive:—

- No. 29597.—W. Maxwell, tire-cover.
 No. 29654.—J. H. Mau, butter-manufacturer.
 No. 29675.—J. Skuse, boot-toe block.
 No. 29730.—A. Cooper, plough-adjusting gear.
 No. 29735.—C. G. Whitaker and A. M. McKenzie, milk-ing-machine releaser.
 No. 29737.—F. Matthews, extracting kerosene from tins.
 No. 29738.—J. Lyall, lid for tin, &c.
 No. 29740.—V. F. Clark, note-book.
 No. 29765.—J. W. Thompson, butter-pat cutter.
 No. 29776.—E. A. Williams, wool-rack.
 No. 29789.—F. H. Lambert, blight-destroyer.
 No. 29795.—J. O. Gardner, rush, tussock, &c., remover.
 No. 29807.—F. V. Raymond and W. O. Beere, flax-dresser.
 No. 29863.—A. Cooper, rush, &c., plough knife.
 No. 29908.—T. Foster, loose-leaf book-cover.
 No. 30058.—J. H. G. Banks, cigarette-paper.
 No. 30175.—F. Graff, cheese-cutter.
 No. 30504.—W. T. Clifford, garment.
 No. 30817.—J. Dougan, roller-blind ventilating-frieze.
 No. 30881.—J. B. Salmon and E. W. Roy, leather-article manufacture.
 No. 30902.—F. W. Vickermann, casein-extraction.
 No. 30903.—F. W. Vickermann, casein-drying apparatus.
 No. 30978.—T. D. Sinclair, cycle-side-car connecting.

Notice of Acceptance of Complete Specifications.

Patent Office,
 Wellington, 3rd April, 1912.

COMPLETE specifications relating to the un-dermentioned applications for Letters Patent have been accepted, and are open to public inspection at this office. Any person may, at any time within two months from the date of this *Gazette*, give me notice in writing of opposition to the grant of any such patent. Such notice must set forth the particular grounds of objection, and be in duplicate. A fee of 10s. is payable thereon.

The copies of claims and extracts from the specifications and drawings are merely intended to give some further indication of the invention than is disclosed in the title, and the complete specifications and drawings should be referred to for a description of the invention.

No. 29270.—15th March, 1911.—JOSEPH JAMES JOYCE, of "Pahiatua," Douglas Street, Stanmore, near Sydney, New South Wales, Australia, Merchant. Improved textile bags, and improvements in the manufacture thereof.

Extract from Specification.—According to this invention, the textile material, such as jute, is painted or coated upon the surface, to be the inside of the bag, with a composition or pigment, which will fill the interstices of the texture and render the latter more or less waterproof.

(Specification, 2s. 3d.)

[NOTE.—The above extract from the specification is inserted in place of the claims.]

No. 29406.—13th April, 1911.—JAMES CHARLES DATSON and WILLIAM MESSANA, both of Hamilton, New Zealand, Land and Estate Agents, trading together under the style or firm of "Messana and Co." A liquid dentifrice for removing discolorations.*

Claim.—(1.) A liquid dentifrice for removing discolorations of the teeth, characterized by having amongst its ingredients a low percentage of hydrochloric acid, as described.

(Specification, 2s. 3d.)

[NOTE.—Here follows one other claim.]

No. 29446.—25th April, 1911.—JAMES GALBRAITH, of Waihi, Auckland, New Zealand, Barrister and Solicitor. Improvements in roller skates.*

Claim.—The novelties are the ratchets (R), the pawls (P), the spur-brakes (SB), and the rubber rests (RR) in combination with roller skates, and not separately.

(Specification, 1s. 3d.)

No. 29510.—5th May, 1911.—CHARLES ERNEST PLAYER, of Birkenhead, Auckland, New Zealand, Medical Practitioner. An improved fastening for doors or gates.*

Extract from Specification.—The fastening as constructed according to this invention consists of two portions, a bolt portion for attachment to the door or gate, and so constructed as to normally have a part thereof projecting beyond the edge of such door or gate, and a receptacle to receive and retain the projecting part of the bolt that is fixed in the door-frame or gate-post. The bolt portion is made of a frame that is secured to the door or gate, and in or on which an arm is pivotally hung, and to which arm the bolt is attached. The receptacle to receive and retain the bolt is formed of a frame let into the post, and having an open side and front into which the projecting end of the bolt passes when the door or gate closes, and a swinging curved tongue arranged therein to swing across the plane of the bolt, and so constructed as to lift when engaged by the bolt, allow the bolt to pass in beneath it, and then to fall in front of the bolt and prevent it moving out again. The bolt may be withdrawn from the frame by turning it back on its pivot in a direction parallel with the door or gate.

(Specification, 4s. 6d.)

[NOTE.—The above extract from the specification is inserted in place of the claims.]

No. 29585.—19th May, 1911.—WILLIAM PETER SWAN MAC-GREGOR, of 3 Dowling Street, Dunedin, New Zealand, Farmer. Improved shackle-peg for coupling animal-traps and the like.*

Claim.—(1.) In improved shackle-pegs for coupling animal-traps and the like, the combination with a peg having a broadened portion near its point, of a metal U-shaped strip, holes of different sizes punched at each end of the said strip to engage with the before-mentioned peg, for the purpose described and as illustrated.

(Specification, 1s. 6d.)

[NOTE.—Here follows one other claim.]

No. 29592.—23rd May, 1911.—GEORGE FREDERICK HOLDEN, of Victoria Terrace, Geelong, Victoria, Australia, Produce-merchant. Improved process and means for treating potatoes, in order that the edible portion thereof may be preserved in a cooked or partly cooked dry condition.*

Claims.—(1.) The process set forth of treating potatoes so that the edible portion thereof is brought to a condition enabling it to be preserved in a dry shredded form. (2.) In the treatment of potatoes for preservation purposes, in combination, means for ridding the potatoes of earth or drossy matter, a revolvable washing-cylinder (as 3) perforated and provided with a baffle therein, means for supplying liquid upon the potatoes during their passage through the cylinder, means for revolving the cylinder and for catching and leading away the escaping liquid and impurities from the perforations, substantially as and for the purposes set forth.

(5.) In the treatment of potatoes for preservation purposes, in combination, means such as 31, 32, 33, and 34 for delivering the potatoes from the cooking-box, a shredder consisting essentially of two hollow rollers as 35, perforations (as 48) on the surface of the rollers, means to scrape the said rollers, and means to revolve the rollers, substantially as and for the purposes set forth.

(Specification, 11s. 6d.)

[NOTE.—Here follow five other claims.]

No. 29621.—29th May, 1911.—HENRY DROUTLEGE, of 47 Vermont Street, Ponsonby, Auckland, New Zealand, Engineer. Improved spring seat.*

Claims.—(1.) In combination, the foundation and a superposed frame, a vertically sliding spindle, a ball and socket-joint at the top thereof, and the compression spring, substantially as specified and illustrated. (2.) In a spring seat, a spindle slidable vertically in the bracket, a ball on the head of the spindle, a socket receiving the ball, and a compression spring surrounding the spindle and the bracket, substantially as specified and illustrated.

(Specification, 1s. 6d.)

No. 29648.—30th May, 1911.—HENRY JOSEPH MCGILL, of Auckland, New Zealand, Manufacturer. Improved device for elevating and lowering the beds of combination dining and billiard tables and the like.*

Extract from Specification.—Near each end of the table, running across and through the frame of same, are spindles carrying curved blocks or brackets, which, on being turned by a crank-handle or the like, are adapted to force the table-top upwards, or lower it, as desired.

(Specification, 3s.)

[NOTE.—The above extract from the specification is inserted in place of the claims.]

No. 29688.—7th June, 1911.—GOLIATH JULIUS COCKS, care of Alfred Weaver, of Riverslea, Hastings, New Zealand, Engine-driver. Improvements in wire-strainers.

Extract from Specification.—A grip comprising a plate with a tapering groove, in which wedges fit with sufficient looseness to admit a wire between their parallel faces, has pivoted levers engaging studs upon the wedges, the other end of each lever being coupled to links of a wire-strainer. One pair of levers is made sufficiently long to spread the links well apart, and thereby afford ample room for joining and knotting operations. (Specification, 2s. 6d.)

[NOTE.—The above extract from the specification is inserted in place of the claims.]

No. 29699.—8th June, 1911.—EDMUND McSWEENEY, of Manawaru, Auckland, New Zealand, Dairyman. An improved apparatus for cleaning dairy and other utensils.*

Extract from Specification.—A brush of wire, fibre, hair, or other bristle, and of a shape and size adapted for the purpose for which it is to be used, is fixed upon a spindle mounted in a tubular handle, and rotatable therein by flexible shafting such as is employed in connection with sheep-shearing and other similar machinery. The brush-spindle may be arranged in ball or other anti-frictional bearings, and may be rotatably connected to the flexible shafting by a hook or other detachable connection. The tube may be provided with a cross or other handle. (Specification, 3s.)

[NOTE.—The above extract from the specification is inserted in place of the claims.]

No. 29748.—20th June, 1911.—UNITED SHOE MACHINERY COMPANY, of Paterson, in the State of New Jersey, United States of America, a corporation duly organized under the laws of said State of New Jersey, carrying on business as Shoe-machinery Manufacturers, and having a place of business at 205 Lincoln Street, Boston, in the Commonwealth of Massachusetts, in said United States of America (assignees of Fred Ashworth, of Beverly, in the County of Essex, and said Commonwealth of Massachusetts, Draughtsman). Improvements in or relating to sewing-machines.*

Claims.—(1.) For a sewing-machine, the combination of a hook needle and an awl, each actuated by a continuously rotating crank through operative connections that are so constructed and arranged that the awl leaves the work as the needle enters the work, and a continuously rotating loop-taker that makes at least three complete rotations during each cycle of operations of the machine. . . . (3.) For a sewing-machine, a needle-operating or an awl-operating mechanism comprising a crank, a part (for example, 81 or 85) moved thereby, a pivoted member (for example, 70 or 86), and a link (for example, 83 or 88) that is pivotally connected with the said part and member, the said part, crank, and member being so arranged that the point of connection between the said part and link move along a path that to impart an idle forward and rearward movement to the needle or awl near the limit of its rearward stroke crosses a line that is perpendicular or normal to the said path, and that passes through the point of connection between the said pivoted member and the link. . . . (6.) For a sewing-machine, an oscillating take-up arm that is actuated by a continuously rotating crank through operative connections that are so constructed and arranged that the take-up arm oscillates through an arc of substantially 180° into or slightly beyond a position in which it is central with relation to the loop that it draws out. (Specification, £3 10s.)

[NOTE.—Here follow twenty-two other claims.]

No. 29783.—24th June, 1911.—JAMES DEWAR HUNTER, of Moray Place, Dunedin, New Zealand, Engineer and Manufacturer. Improved curd breaker and cutter.*

Extract from Specification.—I reciprocate a plunger within a casing, to the outer end of which is a cutting-grating. (Specification, 2s.)

[NOTE.—The above extract from the specification is inserted in place of the claims.]

No. 30109.—26th August, 1911.—ALBERT FREDERICK TOOMER, of Christchurch, New Zealand, Boot-manufacturer. Improved construction of boot.

Claims.—(1.) In a boot, the combination with an upper or vamp, an insole, and sole-leather, of an inlay or plate of steel or other springy material inserted between such leather and insole, said inlay being of such dimensions as to occupy the space enclosed by the turned-in edges of the vamp, substantially as and for the purpose set forth. (2.) The improved construction of boot substantially as described and explained, and as illustrated by the drawing. (Specification, 2s. 3d.)

No. 30196.—12th September, 1911.—PERCY WILTON SIDES, of Little River, Victoria, Australia, Threshing-machine Proprietor. Improvements in and relating to feed-mechanism for threshers.

Claims.—(1.) In feed-mechanism for threshers, means for regulating and controlling the feed of loose sheaves to the drum, comprising an inclined hopper having a series of rotatable fingers projecting therethrough, means for teasing said loose sheaves, and means for delivering same to the drum uniformly. (2.) In feed-mechanism for threshers, a sheaf-elevator, a series of rotatable band-cutting discs arranged above the discharge end of said elevator, and means for delivering the cut sheaves into the threshing-drum. (Specification, 6s.)

[NOTE.—Here follow seven other claims.]

No. 30258.—27th September, 1911.—JOSEPH JAMES JOYCE, of "Pahiatua," Douglas Street, Stanmore, near Sydney, New South Wales, Australia, Merchant. Improved damp-proof bag.

Claim.—(1.) Improved damp-proof bag consisting essentially of a textile casing and a lining adhering thereto, with a portion of such lining free a short distance down from the mouth or opening of the casing, in the manner and for the purposes substantially as described and explained. (Specification, 2s. 9d.)

[NOTE.—Here follow two other claims.]

No. 30372.—14th October, 1911.—CARL THEODORE OTTO JACOBSEN, of Ardmore Road, Ponsonby, near Auckland, New Zealand, Joiner. An improved fastener for windows, cupboards, furniture, and the like.

Extract from Specification.—A threaded-screw fastener carrying a bow-spring. (Specification, 3s. 6d.)

[NOTE.—The above extract from the specification is inserted in place of the claims.]

No. 30620.—23rd January, 1911.†—RICHARD POPE, formerly of Carella, via Stonehenge, in the State of Queensland, Commonwealth of Australia, but at present care of Charles E. Bernays, of 45 Adelaide Street, Brisbane, in the State of Queensland, Australia, Station-manager. A device for absorbing the shock or jolt when a motor-car passes over a rough road.

Extract from Specification.—A toothed rack gearing into a pinion on a countershaft carrying a spur-wheel that is geared to a pinion on the rear live axle. (Specification, 3s. 9d.)

[NOTE.—The above extract from the specification is inserted in place of the claims.]

No. 30646.—21st December, 1911.—SAMUEL EWING, of 9 Parramatta Road, Annandale, Sydney, New South Wales, Australia, Preserved-ginger Manufacturer. Improvements in processes for preserving ginger-roots.

Claim.—The process of dipping the ginger-root in an edible adhesive solution, such as gelatine and sugar, gum arabic and sugar, or other similar substance, before coating it with granulated sugar is quite a new process, and is my sole invention. (Specification, 1s. 3d.)

No. 30725.—11th January, 1912.—JOHN BOURKE SALMON, Boot-factory Manager, and EBENEZER WILLIAM ROY, Warehouse-manager, of Dunedin, New Zealand. Improvements in and relating to pneumatic tires.*

Claim.—(1.) The method of constructing a leather tire or a leather cover for a pneumatic tire which consists in cutting two similar circular portions of suitable size from a hide in the last stage of tanning before drying, placing same on a suitable block with the edges overlapping, temporarily sewing same together, stretching same on a suitable block to the shape desired, allowing same to dry, removing same from the block, skiving the edges, and securing the two portions together by sewing or by threaded or screw wire, substantially as described. . . . (11.) Apparatus for blocking a leather tire or leather cover for a pneumatic tire, comprising a circular block of the shape desired, a fixed ring on each side of the inner circumference of the circular block, and means for stretching the leather over the block and fixed ring and holding same, a pair of loose rings to fit outside the fixed rings, and means for compressing the loose rings so as to stretch the leather, substantially as described. (Specification, 9s. 6d.)

[NOTE.—Here follows one other claim.]

No. 30789.—26th January, 1912.—HENRY SEYMOUR SEARLE, of Dee Street, Invercargill, New Zealand, Engineer. A combined nozzle and piercer for kerosene-tins and the like.

Claim.—In combination, the tap or spout, the conical-pointed screw-threaded stem, a recessed flange upon its face, the screw-threaded portion of the stem extending into said recess, and a washer upon the stem, substantially as specified and illustrated. (Specification, 1s. 3d.)

No. 30812.—1st February, 1912.—JAMES MILLAR NEIL, of 12 Woodlawn Avenue, Toronto, Ontario, Canada, Chemical Engineer. Process for the precipitation of precious metals from cyanide solutions.

Claims.—(1.) The improvement in the process of precipitating precious metals from cyanide solutions consisting in adding a substance containing atomized lead to such a solution. . . . (4.) The process of precipitating precious metals from cyanide solutions consisting in first adding to a cyanide solution a substance containing finely divided lead, agitating the solution, and adding thereto while agitated a finely divided metallic precipitant. (Specification, 5s.)

[NOTE.—Here follow three other claims.]

No. 30879.—14th February, 1912.—THOMAS HOWARD CUNNINGHAM, of Auckland, New Zealand, Ironworker. An improved form of safe or chamber for keeping meat and other provisions cool and clean.

Extract from Specification.—Making a frame which is so shaped that it carries on its top a pan formation suitable for holding water, while the bottom of the formation rests in a tray having fitted therein a pipe outlet. The formation is preferably square-shaped, and to one of its sides a skeleton door is hinged. A piece or pieces of material, preferably towelling or of suchlike woven substance, is tightly drawn around the other three sides so as to reach from the top to the bottom of the frame or formation, or nearly so, and a smaller piece of the same material is fitted on the skeleton door so as to fully cover it. Pieces of flannel or the like material are bent over the top edges of the pan, so that one end of each piece of flannel will dip to the floor of the pan, and the other end of the flannel will reach over to and be on the towelling beneath it. (Specification, 3s.)

[NOTE.—The above extract from the specification is inserted in place of the claims.]

No. 30880.—12th February, 1912.—ARTHUR HERBERT PENFOLD, Labourer; WILLIAM PERCY WALLACE, Electrical Engineer; and ALEXANDER MACDONALD, Blacksmith, all of Dunedin, New Zealand. Cutter and draw-off pipe for kerosene-tins and the like.

Claims.—(1.) A cutter for kerosene-tins and the like comprising, in combination, a handle and a tubular portion, said tubular portion having two curved sharpened edges opposite and crossing each other and two straight edges diametrically opposite each other, each straight edge and curved edge meeting in a point, substantially as described. (2.) A combined cutter and draw-off pipe for kerosene-tins and the like consisting of the combination with a cutter, according to claim (1), of a spout connected to the extended tubular portion of the cutter, and means for holding the device in position on a tin, substantially as described. (Specification, 3s. 3d.)

[NOTE.—Here follow two other claims.]

No. 30886.—21st February, 1911.†—CHARLES WATSON, of Sunny Lea, Glen Huon, Tasmania, Australia, Fruit-grower. Improvements in and relating to fruit-graders.

Extract from Specification.—The apparatus consists of a large cylinder that is rotated by any convenient means, and in which are a number of perforations spirally arranged and graduating in size, and internal spiral avenues which include such perforations. A suitable chute or feeding-device is employed to convey the fruit to be graded into the cylinder, through which it will move along the spiral avenues as the cylinder is rotated. The holes or perforations increase in diameter towards the lower end of the machine, and spherical fruit, such as apples, will, in passing through the cylinder, eventually reach an opening large enough to permit the piece to fall through it on to a canvas chute or conveyor below the cylinder which will carry the fruit clear of the machine. (Specification, 6s. 3d.)

[NOTE.—The above extract from the specification is inserted in place of the claims.]

No. 30893.—29th June, 1911.†—THE BRITISH-AUSTRALASIAN TOBACCO COMPANY PROPRIETARY, LIMITED, of 45 Park Street, Sydney, New South Wales, Australia, Manufacturers (assignees of William Edward Shaw, of 45 Park Street aforesaid, Director). Improvements in hinging the lids of tins and like containers.

Extract from Specification.—According to the present invention, the tin is hermetically sealed by soldering or otherwise securing a suitable closure or tagger on the top thereof. The lid having the pivot-pin secured to one side thereof is then placed over the tin, and a metal strip or plate having a recess stamped thereon at each end is soldered or otherwise secured to the side of the body of the tin so that the ends of the pivot-pin have bearings between said recesses and the side of the body. (Specification, 3s.)

[NOTE.—The above extract from the specification is inserted in place of the claims.]

No. 30894.—27th February, 1911.†—WILLIAM PHILPOT CURRAN BAIN, of Lochrin Ironworks, Coatbridge, Lanarkshire, Scotland, Manufacturer. Improvements connected with wire fencing.

Claim.—(1.) A dropper or standard made with laterally projecting flanges (b, c), each flange having raised or outwardly projecting studs or points, or equivalent, thereon, the fence-wires resting between the studs or points and being secured by means of wire ties or other fasteners, substantially as described. (Specification, 4s. 3d.)

[NOTE.—Here follows one other claim.]

No. 30895.—22nd March, 1911.†—HENRY JAMES REES, Works Foreman, of Llansamlet, Glamorgan, Wales, England, and THE METALS EXTRACTION CORPORATION, LIMITED, of Finsbury House, Blomfield Street, London, England. Improvements in or relating to the deposition of metallic salts from solutions containing them.

Claim.—(1.) A process for depositing salts of the kinds described from a solution containing them, which consists in subjecting a continuously moving thin film of the solution to the action of the hot gases from a coke fire. (Specification, 8s.)

[NOTE.—Here follow three other claims.]

No. 30897.—19th February, 1912.—ARTHUR FRANCIS BERRY, of 27 Woodville Road, Ealing, Middlesex, England, Electrical Engineer. Improvements in or relating to electrical heating apparatus.

Extract from Specification.—Recesses are provided to accommodate the bends of the conductor, and thereby to relieve the pressure of the confining elements thereon. When one or each of the confining elements has a flat surface adjacent to the conductor or to the holder upon which it is wound, the recess formation may be produced by inserting between the conductor or its holder and the confining element, or each confining element as may be required, a thin layer or thin layers of suitable electrically insulating but heat-transmitting material, as transparent mica, so shaped, dimensioned, and arranged as to be not opposite to the edge of the bends of the conductor. Such layer or layers may be additional to any layer or layers of similar material inserted between the wound conductor and the confining element or elements and having portions opposite to the bends of the conductor. Instead of employing a layer or layers of electrically insulating material such as described above for producing the recess formation, that formation may be produced by recessing the corresponding confining element or elements. . . . the edge of the primary element is made without a flange or of less thickness than the main portion thereof, and the edge of the secondary element is formed with a flange adapted to bear against the edge of the primary element with or without interposed packing material. (Specification, 13s. 6d.)

[NOTE.—The above extract from the specification is inserted in place of the claims.]

No. 30899.—25th February, 1911.†—HUMBERT CANTONI and JEAN CHAUMES, both of Rue de Hessos Nr. 12, and EMIDE DEGRANCE, of Rue St. Leger Nr. 5, all in Geneva, Switzerland. Improvements in and relating to processes for extracting and recovering, in the form of potassium-bitartrate, the totality of the tartaric acid contained in the tartar or argol, lees, and, in a general manner, in all tartaric materials.

Claims.—(1.) A process for extracting and recovering, in the form of potassium-bitartrate, the totality of the tartaric acid contained in any tartaric materials whatever, this process consisting in employing such chemical reactions that for precipitating the cream of tartar only such solutions are employed which are obtained by the attack of the raw materials containing tartaric materials, this result being obtained by the judiciously combined employment of alkaline and acid reagents; oxalic acid and a salt of potassium being introduced into the cycle of operations if the raw materials do contain calcium-tartrate, the said introduction being made in order to permit the conversion of the said calcium-tartrate into insoluble calcium-oxalate and potassium-bitartrate; the rational application of the cycle of the described reactions reducing from 50 per cent. the whole employment of chemical reagents which are necessary for the usual processes, which are based upon an attack of the raw materials only by an acid or by an alkali. (2.) A process such as claimed in claim (1), substantially as described. (Specification, 6s.)

No. 30900.—19th February, 1912.—THE AZULAY SYNDICATE, LIMITED, of 8 Laurence Pountney Hill, Cannon Street, London E.C., England, Manufacturers (assignees of James Walter Henry Dew, of 8 Laurence Pountney Hill aforesaid, Engineer). Improvements in the manufacture of pneumatic-tire covers.

Claim.—(1.) A pneumatic-tire cover constructed of rubber and fibre, in which no fabric or other woven or spun foundation is employed, constructed substantially as described.

(Specification, 2s. 9d.)

[NOTE.—Here follow two other claims.]

No. 30901.—19th February, 1912.—THE AZULAY SYNDICATE, LIMITED, of 8 Laurence Pountney Hill, Cannon Street, London E.C., England, Manufacturers (assignees of James Walter Henry Dew, of 8 Laurence Pountney Hill aforesaid, Engineer). Improvements in connection with driving-belts and the like.

Claim.—(1.) The manufacture of a power driving or transmitting belt from unwrought fibres, combined and maintained in position by rubber or the like, substantially as and for the purposes described.

(Specification, 2s. 6d.)

[NOTE.—Here follow two other claims.]

No. 30913.—21st February, 1912.—ROBERT THOMSON, of 206 William Street, Perth, Western Australia, Australia, Engineer. A corkless bottle.

Claim.—A corkless bottle of the character described, whose neck *b* is formed with a side chamber as *c*, said neck being provided with a rotatable hollow plug as *d e*, and said plug having operative loops as *h* for turn agents, and a retentive *j* and parts, all substantially as set forth, and as shown in the drawing.

(Specification, 1s. 9d.)

No. 30917.—20th February, 1912.—JOHANN GEORGE YAGER, of Christchurch, New Zealand, Boot-manufacturer. An improved composition for use in waterproofing leather.

Claim.—A composition for use in waterproofing leather consisting of a mixture of raw linseed-oil, beeswax, paraffin-wax, and turpentine in the approximate relative proportions specified.

(Specification, 1s.)

No. 30940.—27th February, 1912.—THE CHEMICAL PROCESS COMPANY, a corporation organized under the laws of the State of New York, located at 170 Broadway, New York, United States of America (assignees of James Millar Neil, of 170 Broadway aforesaid, Chemical Engineer). Process of and apparatus for atomizing metals, minerals, and the like.

Extract from Specification.—The invention consists, broadly, in atomizing metals, minerals, and other substances, &c. (which have been reduced to a molten or fused state), by means of a blast or jet of air, gas, or steam under pressure, at a temperature equal to and preferably higher than the melting-point of the metal or material being treated, such blast being directed against a stream or jet of the molten metal or material being treated, whereby the latter is disintegrated, dissipated, or dispersed in an extremely fine powder or floury condition. In practice the minute particles of the metal or material thus atomized solidify without oxidation taking place.

(Specification, 7s. 9d.)

[NOTE.—The above extract from the specification is inserted in place of the claims.]

No. 30941.—28th February, 1911.†—ARTHUR LOFTUS BETHELL, of 4 Woodgate Green, Wallington, England, Dental Assistant. Improvements in sandpaper and like abrasive materials.

Claim.—An improved abrasive material formed by applying in the usual sandpaper, or the like, a backing of open-meshed linen or other material, and by providing the sandpaper and backing, or the like, with perforations or slits, as and for the purpose set forth.

(Specification, 1s. 9d.)

No. 30942.—28th February, 1911.†—RAOUL DIAZ WAGNER, of 6 Rue du Mont Thabor, Paris, France, Engineer. Improvements in screw bolts, nuts, or the like for fixing rails on sleepers, or for other purposes.

Claims.—(1.) A bolt or bolt-nut with opening for fixing rails to wooden sleepers, and for fixing wood screws in wood or any other material presenting but little or no resistance to the screw-threads, broadly characterized by a hollow metal part, cylindrical internally and externally throughout its entire height, and also threaded throughout its entire height externally and internally, the external thread progressively increasing in projection from the median point in the length of the part in proceeding downwards without altering in pitch; the said part being, furthermore, provided at its upper end with a shoulder against which the head of the screw bears, and its lower part with longitudinal slots forming branches adapted to be brought together at their free extremity for forming a conical portion, facilitating the penetration and the screwing of the bolt into the sleeper, while the screw, when screwed into the part, causes the branches to spread, thus firmly anchoring the bolt in the wood. (2.) The bolt or bolt-nut, or the like, for fixing rails or sleepers or for other purposes, substantially as described and illustrated.

(Specification, 5s.)

No. 30944.—10th March, 1911.†—ALBERT WYLES, Jun., of Netherfield, Badsey, Evesham, Worcester, England, Fruit-grower. A self-contained motor-driven agricultural cultivator, plough, harrow, and the like.

Claim.—(1.) A self-contained motor-driven agricultural implement comprising, in combination, a vehicular implement carrying frame mounted on two running-wheels only, and provided at the rear with two controlling-handles, with a motor adapted to drive said wheels, the motor and appurtenant parts being so disposed as to substantially balance the frame and implements supported thereby.

(Specification, 3s. 9d.)

[NOTE.—Here follow two other claims.]

No. 30945.—27th February, 1912.—ERNEST JAMES ROBERTS, of Christchurch, New Zealand, Lithographer. An improved feed-guide for lithographic and other printing-machines.

Extract from Specification.—The invention consists in forming the guide of two main parts, one being a bearing fixed rigidly to the feeding-board, and having a hollow spindle, internally screw-threaded, mounted to rotate therein, and the other a sliding frame mounted to slide across the feeding-board, and having a screw on its back which fits into the threaded spindle so that by the rotation of the spindle it may be moved in either direction, and having mounted on its front end a vertically adjustable foot and a block, spring-cushioned, to be kept in engagement with the feeding-board. The adjustable foot is adapted to have the sheet's edge passed beneath it so as to keep the sheet flat upon the board, while the block is used to engage with the sheet's edge and thereby align it as required.

(Specification, 5s. 9d.)

No. 30952.—28th March, 1911.†—WILLIAM WEEKES, of 29 Greig Street, Fitter, and DAVID EARNEST ABSOLOM, of 37 Windsor Street, Fitter, both of Footscray, Victoria, Australia. Improvements in windmill and other mechanical motions.

Claim.—(1.) In windmill-construction, a wind-wheel having on its shaft or axle a pinion in combination with a rack-body having opposite rows of obliquely set teeth, and stroke-end or transverse teeth, the rack-body having means whereby it is adapted to rock and to be connected to a pump-rod or member to be reciprocated, as set forth.

(Specification, 4s.)

[NOTE.—Here follow three other claims.]

No. 30959.—28th February, 1912.—THE HUGHES PATENTS PROPRIETARY, LIMITED, whose registered office is at No. 533 Collins Street, Melbourne, Victoria, Australia, Merchants (assignees of Peter Rodger Hughes, of 10 St. John's Avenue, Camberwell, Victoria aforesaid, Storeman). Improved link-hook for fastening bales or bags.

Extract from Specification.—The ends or points of the two single hooks overlap each other, whilst furthermore the longer one of said ends is preferably inclined away from the other to facilitate insertion.

(Specification, 3s.)

[NOTE.—The above extract from the specification is inserted in place of the claims.]

No. 30963.—29th February, 1912.—SIR CHARLES HENRY AUGUSTUS FREDERICK LOCKHART ROSS, of Balmagown Castle, Ross-shire, Scotland, temporarily residing at Quebec, Canada, Gentleman. Improvements in firearms.

Claims.—(1.) In a firearm, the combination of a breech-bolt provided with an extension, a shoulder carried by said extension, a detent adapted to engage said shoulder, a firing-means carried by said extension, a shoulder carried by said firing-means, a sear coacting with said last-mentioned shoulder, and a trigger controlling said sear, substantially as described. . . . (4.) In a firearm, the combination of a breech-bolt provided with a slot and having a hollow slotted extension, an ejector located in the slot of the breech-bolt, a firing-plunger located in the hollow extension and having a sear-lug provided with a shoulder extending through the slot of said extension, a detent adapted to retard the rearward movement of said bolt, a sear coacting with said shoulder, and a trigger pivoted to said sear, substantially as described. . . . (12.) In a firearm, the combination of a slotted receiver, an operating-handle reciprocating in the slot of said receiver, a screw-threaded cap closing the end of said receiver, an adjustable sight carried by said cap, and a spring-controlled latch adapted to enter said slot for holding said cap in place, substantially as described.

(Specification, 9s.)

No. 30966.—29th February, 1912.—ARTHUR ROWNTREE, of 137 Rolleston Street, Linwood, Christchurch, New Zealand, Builder. An improved handle-holder for brooms.

Extract from Specification.—The handle is pivoted between cheeks integrally formed or screwed upon the broom-head,

and is held in the desired position by a shouldered pin passing through the handle and engaging in one or other of a plurality of recesses formed in the cheeks.

(Specification, 2s. 6d.)

[NOTE.—The above extract from the specification is inserted in place of the claims.]

No. 30978.—5th March, 1912.—TOM DOUGLAS SINCLAIR, of 307 Alexandra Street, Hastings, Hawke's Bay, New Zealand, Mechanic. An improved shock-absorber for side cars of motor-cycles.*

Extract from Specification.—According to my invention, an arm pivotally connected at one end to the frame, and beneath the seat of the motor-cycle, extends downwardly at an angle across and below the axle of the side car. The end of this arm is connected by a pivoted link with a gland or clip fixed to the side-car axle. Upon said arm, near the middle of the side-car seat, is a clip having a projecting lug, through which pass rods located within spiral springs, one connected to each of the frame members of the side car upon either side of the seat. (Specification, 3s. 9d.)

[NOTE.—The above extract from the specification is inserted in place of the claims.]

Copies of drawings may be obtained at the uniform price of 1s. each. In exceptional cases this price may be increased at the discretion of the Office.

An asterisk (*) denotes the complete specification of an invention for which a provisional specification has been already lodged. A dagger (†) denotes a prior date upon the International and Intercolonial Arrangements.

NOTE.—The cost of copying the specification has been inserted after the notice of each application. An order for a copy or copies should be accompanied by a post-office order or postal note for the cost of copying.

The date of acceptance of each application is given after the number.

Extracts from the drawings accompanying the foregoing complete specifications appear at the end of the *Gazette*.

J. C. LEWIS,
Registrar.

Erratum.

IN *Gazette* No. 18, of the 22nd February, 1912, the title of invention has been omitted in the case of No. 29123. The title is as follows: "Improvements in and relating to steam-generation, feed-water heating, and the heating of liquids generally."

Provisional Specifications accepted.

Patent Office,
Wellington, 28th March, 1912.

APPLICATIONS for Letters Patent, with provisional specifications, have been accepted as under:—

- No. 30144.—E. H. and H. Scott, illuminated sign.
- No. 30637.—J. Colefax, cow-milker.
- No. 30725.—J. B. Salmon and E. W. Roy, tire.
- No. 30875.—T. Dickson, horse-bridle.
- No. 30878.—D. Barnes, boot-attachment.
- No. 30890.—F. A. L. Wells, tiller-holder.
- No. 30903.—F. W. Vickermann, casein-drying apparatus.
- No. 30904.—H. C. Grierson, motor-car, &c., wind-screen.
- No. 30905.—E. S. Gittos, propeller.
- No. 30906.—C. G. Hall, time-piece dial.
- No. 30909.—H. Greig, flax-blade-tail clipper.
- No. 30910.—C. Zoeller, emasculator.
- No. 30911.—T. Howland, pump-valve.
- No. 30912.—H. H. McBrearty, vehicle-shoe brake.
- No. 30915.—R. Connell, lamp-bracket.
- No. 30923.—W. McCarty, hatpin.
- No. 30926.—J. Annand, concrete-building apparatus.
- No. 30927.—A. M. Dawson and J. W. Wilson, scoring-device for game.
- No. 30928.—M. A. Park, game and apparatus.
- No. 30930.—D. Manson, palm-protector.
- No. 30931.—G. C. Geddis, hames-hook.
- No. 30951.—G. H. Dodds, tram-ticket.
- No. 30978.—T. D. Sinclair, connecting side car to motor-cycle.

[NOTE.—Provisional specifications cannot be inspected, or their contents made known by this office in any way, until the complete specifications in connection therewith have been accepted.]

Letters Patent sealed.

LIST of Letters Patent sealed from the 15th to the 28th March, 1912, inclusive:—

- No. 28157.—S. Salek, paper-folding, &c., machine.
- No. 28644.—A. J. Whiteside, flax-handling.
- No. 28681.—H. V. Wallace, wall-plaster.
- No. 28752.—W. E. Hunter, wire-strainer.
- No. 28769.—C. Tandy, game apparatus.
- No. 28774.—United Shoe Machinery Company, gripper. (B. F. Mayo and E. I. La Chapelle.)
- No. 28794.—H. M. Douglas, loose-leaf book.
- No. 28799.—A. L. J. Tait, rotary engine.
- No. 28815.—E. C. Austin, tire-pump valve.
- No. 28826.—E. M. Thompson, venetian-blind.
- No. 28852.—A. J. Lecautre, corset.
- No. 28854.—W. W. Martin, prevention of obstruction in hydraulic mains. (J. T. Catling.)
- No. 28856.—H. G. Kettle, milking-machine pipe.
- No. 28860.—A. Lyell, non-refillable bottle.
- No. 28862.—W. Wilkinson, axle.
- No. 28880.—G. W. Fothergill and W. H. Rogers, saw-guard.
- No. 28884.—C. J. Sanderson, sash, &c., raising or lowering.
- No. 28890.—G. Lomas, truck-haulage.
- No. 28891.—J. Hercus, E. P. Graham, and W. Morton, water-level observer.
- No. 28893.—T. Kidd, milking-apparatus.
- No. 28900.—L. W. Alexander and J. W. Hall, non-refillable bottle.
- No. 28919.—J. Gilmour, water-pipe-leak repairing.
- No. 28973.—A. Seifert, flax-gripper, &c.
- No. 28974.—A. Seifert, flax-blade-sorting apparatus.
- No. 28986.—C. Timms, advertisement-displaying. (T. E. B. Poole.)
- No. 29708.—S. D. Currie and H. M. Thorpe, milk-can lid.
- No. 29798.—G. S. Ackley, brake-chain winding-mechanism.
- No. 29836.—A. Prior and R. W. Brickell, box.
- No. 29854.—Lamson Store Service Company, Limited, cash-carrier, &c. (H. J. Fawcett.)
- No. 29909.—J. McIlvenna, marine-engine governor.
- No. 29953.—B. S. Smith, sulphide-ore dressing.
- No. 29974.—G. R. Edmonds, educational appliance.
- No. 30147.—A. Ponten, sluicing-apparatus.
- No. 30183.—L. Joseph, bedstead.
- No. 30205.—C. A. Green and W. Morris, tea-packeting machine.
- No. 30260.—J. Dönges, grain, &c., screening.
- No. 30266.—J. C. Ferry, trouser, &c., hip-pocket.
- No. 30340.—F. Parry, fish-propagation.
- No. 30416.—A. Kowastch, blasting-charge.
- No. 30472.—F. E. Brown, gas-stove. (W. White.)
- No. 30490.—Huebner-Bleistein Patents Company, photographic-printing machine. (W. C. Huebner.)
- No. 30527.—M. Barr, R. A. Bell, and H. R. Beeton, calculating-machine.
- No. 30528.—Turbo Amalgamator and Extraction Company, Limited, metal-extraction. (A. A. Lockwood.)
- No. 30529.—W. Meyer, detonating-compound.

Letters Patent on which Fees have been paid.

[NOTE.—The dates are those of the payments.]

LIST of Letters Patent on which fees have been paid from the 15th to the 28th March, 1912, inclusive:—

SECOND-TERM FEES.

- No. 24165.—J. M. Dowd, plough. 25th March, 1912.
- No. 24178.—J. Hargreaves, roof extract ventilator. 22nd March, 1912.
- No. 24204.—D. Morgan, collapsible-mould erecting. 26th March, 1912.
- No. 24218.—F. G. Cottrell, separating suspended particles from gas, &c. 20th March, 1912.
- No. 24246.—G. J. E. Sundberg and G. J. J. Hägg, milking-machine. 27th March, 1912.
- No. 24711.—F. S. Greer, visible gas for earth-pipe, &c., testing. 27th March, 1912.
- No. 24712.—F. S. Greer, fumigating or spraying apparatus. 27th March, 1912.
- No. 25331.—Casein and Milk Industries, Limited, casein-manufacture. (C. A. Baechler.) 19th March, 1912.

THIRD-TERM FEES.

- No. 19265.—A. S. Patterson, centrifugal liquid-separator. (Massey-Harris Company, Limited—C. H. Hackett and T. W. Morgan.) 25th March, 1912.

Subsequent Proprietors of Letters Patent registered.

[NOTE.—The name of the former proprietor is given in brackets; the date is that of registration.]

NO. 26673.—Richard Henry Phelan, Mill-manager, and Axel Englebert Jansen, Carpenter, both of Mokai, in the Provincial District of Auckland and Dominion of New Zealand. Axle-lubricator. (R. H. Phelan and W. M. Parsons.) 25th March, 1912.

No. 28550.—Muir-Vincent Smoke Consumers, Limited, a company registered under the laws of the State of New South Wales, and having its registered office at 14 Martin Place, Sydney, New South Wales, Australia, Manufacturers. Furnace-door. (A. Vincent and C. Muir.) 25th March, 1912.

No. 29421.—Henry Wallduck Escott, of Dunedin, New Zealand, Picture-framer. Carburettor. (H. Williden.) 26th March, 1912.

No. 29498.—Muir-Vincent Smoke Consumers, Limited, a company registered under the laws of the State of New South Wales, and having its registered office at 14 Martin Place, Sydney, New South Wales, Australia, Manufacturers. Boiler-furnace. (Muir-Vincent Smoke Consumer and Fuel Economizer Company, Limited—A. Vincent and C. Muir.) 25th March, 1912.

Request for Correction of Clerical Error in Application for Letters Patent.

NO. 28889, Imperial Cash Register Company, Limited, cash-register. (C. Bristow.) (Advertised in Supplement to *New Zealand Gazette*, No. 3, of the 11th January, 1912.)

To insert in the application before the name "Charles Bristow" the words "we are the assignees of."

Request for Amendment of Specification allowed.

THE request to amend the specification and drawing in respect of application No. 29482, E. D. Berry, pasteurizer (advertised in Supplement to *New Zealand Gazette*, No. 3, of the 11th January, 1912) has been allowed.

Application for Letters Patent opposed.

NOTICE of opposition has been filed in the following case:—

No. 30435.—E. Schwer, water-heater. Opposed by H. W. Davies.

Applications for Letters Patent abandoned.

LIST of applications with which provisional specifications only have been filed, abandoned (i.e., complete specifications not lodged) from the 15th to the 28th March, 1912, inclusive:—

- No. 29556.—G. R. Hutcheson, floor and roof construction.
- No. 29561.—W. Beamish, flushing-apparatus.
- No. 29563.—L. W. Marcker and S. J. V. Hansen, umbrella. (H. H. Giodwad and J. Raasmussen.)
- No. 29569.—F. V. Raymond, hair, fibre, &c., dye.
- No. 29570.—F. V. Raymond, medicine and ointment.
- No. 29571.—F. V. Raymond, polishing sheet and board.
- No. 29572.—F. V. Raymond, leather, furniture, &c., polish.
- No. 29573.—F. V. Raymond, metal, furniture, &c., polish.
- No. 29575.—G. F. Bryant, dust-protector for sulkies.
- No. 29578.—H. F. Sherwood-King, cue-tip.
- No. 29579.—M. J. Lister, fencing-tool.
- No. 29584.—C. Boniface, stirrer for pasteurizer.
- No. 29588.—L. P. Cronly, music-transposing chart.
- No. 29589.—C. W. Wild, flushing-apparatus.
- No. 29590.—J. R. Hayne, meat-preserving.
- No. 29599.—W. S. Ziele, cap and outlet for collapsible tube.
- No. 29601.—J. H. Davies, teat-cup.
- No. 29602.—H. F. Sherwood-King, fastening-device.
- No. 29610.—F. W. Payne, time-limit lock.
- No. 29611.—T. S. Gurr and R. J. Hobbs, train-signalling.
- No. 29612.—D. O. Stewart and S. M. Bower, milking-machine release.
- No. 29613.—F. V. Raymond, knife-polishing apparatus.
- No. 29615.—G. Pilling, hinging lid to box.
- No. 29631.—Eureka Milking Machine Company, Limited, milking-machine. (H. Droulege.)

Applications for Letters Patent void.

APPPLICATIONS for Letters Patent, with which complete specifications have been lodged, void owing to non-acceptance of such complete specifications, from the 15th to the 28th March, 1912, inclusive:—

- No. 28904.—H. T. Davis, time-table.
- No. 28913.—W. I. and E. A. V. Aston, bicycle-saddle cushion.

Applications for Letters Patent lapsed.

APPPLICATIONS for Letters Patent lapsed, owing to Letters Patent not being sealed, from the 15th to the 28th March, 1912, inclusive:—

- No. 28437.—A. P. Stewart, pot scraper and brush.
- No. 28470.—W. G. Gordon-Jones, seed-sower.
- No. 28496.—T. W. A. Hood and T. R. M. Glenvale, tie or scarf construction.
- No. 28503.—J. Muston, cup-and-saucer display-rack.

Letters Patent void.

LIST of Letters Patent void through non-payment of renewal fees, and through expiry of term of fourteen years, from the 15th to the 28th March, 1912, inclusive:—

THROUGH NON-PAYMENT OF SECOND-TERM FEES.

- No. 23829.—P. Browne, centrifugal machine.
- No. 23831.—J. Humphreys and W. Willis, draught-preventer for doors.
- No. 23836.—J. V. M. Risberg, emulsifying-milk.
- No. 23839.—J. H. and J. D. Muir, safety apparatus for elevator-wells.
- No. 23840.—R. J. Fry, horse-shoe manufacture.
- No. 23843.—J. N. Caught, steam-engine.
- No. 23851.—H. R. Radford, egg-carrier.
- No. 23854.—W. T. Johnson, weather-stop for windows.
- No. 23855.—S. A. Bradley, fixing colour of fruit preparatory to drying.
- No. 23856.—S. A. Bradley, treatment of tomatoes prior to drying.
- No. 23860.—F. P. Rudder, furnace for refuse-destroyer.
- No. 23861.—V. G. Smith, butter-washing process.
- No. 23862.—G. C. Chadwick, loading or unloading coal.
- No. 23867.—A. Hedley, salvage gear.
- No. 25372.—T. Hawkins, sloop-pail.

THROUGH NON-PAYMENT OF THIRD-TERM FEES.

- No. 18875.—Lamson Store Service Company, Limited, parcel-conveying apparatus. (E. S. Baldwin and H. H. Rayward—E. C. Phillips.)

THROUGH EXPIRY OF TERM.

- No. 10450.—A. Robertson, horse-cover.
- No. 10457.—Haskin Wood Vulcanizing Company, Limited, treatment of wood. (S. E. Haskin.)
- No. 10462.—S. Barningham, E. T. O'Connell, and T. McCormack, cooking-range.

Applications for Trade Marks filed.

LIST of applications for registration of Trade Marks filed from the 15th to the 28th March, 1912, inclusive:—

- No. 10296.—16th March.—A. Sturges Henderson, N.Z. Class 42.
- No. 10297.—16th March.—J. Paterson ("Paterson's Manufacturing Company, Auckland"), N.Z. Class 3.
- No. 10298.—19th March.—Hollins Mill Company, Limited, Manchester, Eng. Class 4.
- No. 10299.—19th March.—The firm of G. Edmonds, Birmingham, Eng. Class 14.
- Nos. 10300 and 10302.—19th March.—Chipman Limited, New York, U.S.A., and Sydney, N.S.W., and elsewhere. Class 6.
- Nos. 10301 and 10303.—19th March.—Chipman Limited, New York, U.S.A., and Sydney, N.S.W., and elsewhere. Class 22.
- No. 10304.—19th March.—H. Price and Co., Limited, Wellington, N.Z. Class 42.
- Nos. 10305 and 10306.—21st March.—J. B. Gilberd and Sons, Limited, Wanganui, N.Z. Class 47.
- No. 10307.—21st March.—J. A. Harris, Onehunga, N.Z. Class 3.
- No. 10308.—23rd March.—R. Burley, Luton, Eng. Class 38.

No. 10309.—25th March.—J. B. Gilberd and Sons, Limited, Wanganui, N.Z. Class 47.
 Nos. 10310 and 10311.—26th March.—W. Gilpin, Senior and Co., Limited, Cannock, Eng. Classes 12 and 13.
 No. 10312.—26th March.—Colthurst and Harding, London and Bristol, Eng. Class 1.
 No. 10313.—26th March.—Peter, Cailler, Kohler Chocolats Suisses, Société Anonyme Vevey, Switz. Class 42.
 Nos. 10314 and 10315.—26th March.—W. H. Chaplin and Co., Limited, London, Eng. Class 43.
 No. 10316.—26th March.—A. Pirie and Sons, Limited, Aberdeen, Scot. Class 39.
 Nos. 10317 and 10318.—27th March.—H. Barzey, Auckland, N.Z. Class 3.
 No. 10319.—28th March.—Gill Bros. Company, Stenbenville, U.S.A. Class 15.
 No. 10320.—28th March.—Wicküler-Kupper-Brauerei, Aktien-Gesellschaft, Elberfeld, Germany. Class 43.
 No. 10321.—28th March.—C. and J. Hampton, Limited, Attercliffe, Eng. Class 13.
 Nos. 10322, 10324, and 10327.—28th March.—Lever Bros., Balmain, N.S.W. Class 47.
 Nos. 10323 and 10328.—28th March.—Lever Bros., Balmain, N.S.W. Class 48.
 No. 10325.—28th March.—Lever Bros., Balmain, N.S.W. Class 3.
 No. 10326.—28th March.—Lever Bros., Balmain, N.S.W. Class 42.

Applications for Registration of Trade Marks.

Patent Office,
 Wellington, 29th March, 1912.

A PPLICATIONS for registration of the following Trade Marks have been received. Notice of opposition to the registration of any of these applications may be lodged at this office within two months of the date of this *Gazette*. Such notice must be in duplicate, and accompanied by a fee of £1.

No. of application: 9893.
 Date: 4th September, 1911.

TRADE MARK.



The essential particulars of this trade mark are the combination of devices and the word "Cosmos"; and any right to the exclusive use of the added matter is disclaimed.

NAME.

HENRY CARDWELL AND SONS, LIMITED, of 65 Shudehill, Manchester, Lancashire, England, Rope and Twine Manufacturers.

No. of class: 50.
 Description of goods: Ropes, twines, lines, cords, and holders (made of wood) for reels or balls of twine, all being goods included in Class 50.

No. of application: 10238.
 Date: 22nd February, 1912.

TRADE MARK.

The word

CINNAK.

The essential particular of this trade mark is the word "Cinnak."

NAME.

ALBRECHT LUDWIG JULIUS PETERS, of Pall Mall, Bendigo, Victoria, in the Commonwealth of Australia, Pharmaceutical Chemist.

No. of class: 3.
 Description of goods: A medicinal preparation for use in medicine and pharmacy.

B

No. of application: 10242.
 Date: 26th February, 1912.

TRADE MARK.



The essential particulars of this trade mark are the design of the three bees white panel in conjunction with the words "The three B's"; and any right to the exclusive use of the added matter, except the applicant's name, is disclaimed.

NAME.

ERNEST BROTHERS DUFAR, of 67 Queen Street, Auckland, in the Dominion of New Zealand, Wine and Spirit Merchant, &c.

No. of class: 43.
 Description of goods: Ale.

No. of application: 10267.
 Date: 2nd March, 1912.

TRADE MARK.



NAME.

THE WILLYS-OVERLAND COMPANY, a corporation organized under the laws of the State of Ohio, in the United States of America, located and doing business at No. 1000 Central Avenue, Toledo, in the County of Lucas and State of Ohio aforesaid, Manufacturer.

No. of class: 22.
 Description of goods: Automobiles, motor-trucks, motor-cycles, aeroplanes, aerostats, and other motor-vehicles, and all other goods included in this class.

No. of application: 10268.
 Date: 4th March, 1912.

TRADE MARK.



The essential particular of this trade mark is the word "Glystrong"; and the applicants disclaim any right to the exclusive use of the added matter, except their name.

NAME.

BEATH AND Co., LIMITED, of 146, 148, 150 Cashel Street, Christchurch, in the Dominion of New Zealand, Drapers, &c.

No. of class: 24.

Description of goods: Blouse-fabrics included in this class.

No. of application: 10277.

Date: 9th March, 1912.

TRADE MARK.

The word

FUTIS.

FRED SANFORD AND JAMES JOSEPH CLARK, of Jervois Road, Auckland, in the Dominion of New Zealand, Labourers.

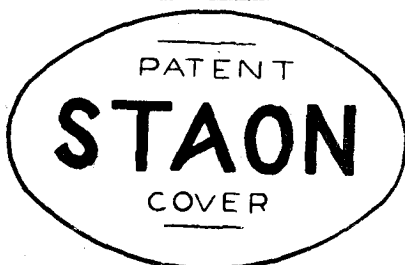
No. of class: 3.

Description of goods: Medical substance for the feet.

No. of application: 10278.

Date: 9th March, 1912.

TRADE MARK.



The essential particular of this trade mark is the word "Staon"; and any right to the exclusive use of the added matter is disclaimed.

NAME.

BING, HARRIS, AND Co., LIMITED, of 151 High Street, Dunedin, in the Dominion of New Zealand, Warehousemen.

No. of class: 50.

Description of goods: Horse-covers.

No. of application: 10288.

Date: 19th March, 1912.

TRADE MARK.

The word

KAYKOBUTTA.

NAME.

THE HALL MANUFACTURING COMPANY, LIMITED, of Wellington, in the Dominion of New Zealand, Manufacturers.

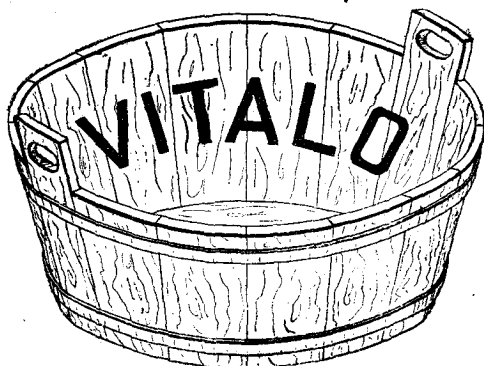
No. of class: 42.

Description of goods: Food products manufactured from oils, fats, and waxes.

No. of application: 10293.

Date: 14th March, 1912.

TRADE MARK.



The essential particulars of this trade mark are the device of a tub and the word "Vitalo."

NAME.

W. F. DURWARD AND Co., LIMITED, of Palmerston North, in the Dominion of New Zealand, Drapers.

No. of class: 34.

Description of goods: Flannel and all piece-goods and wool and cotton piece-goods composed mostly of wool.

No. of application: 10294.

Date: 14th March, 1912.

TRADE MARK.



NAME.

THE CUDAHY PACKING COMPANY, a corporation organized under the laws of the State of Illinois, United States of America, of 111 West Monroe Street, Chicago, Illinois, and 33rd and Q Streets, South Omaha, Nebraska, United States of America, and elsewhere, Packers.

No. of class: 47.

Description of goods: Detergents.

No. of application: 10295.

Date: 14th March, 1912.

TRADE MARK.



NAME.

THE CUDAHY PACKING COMPANY, a corporation organized under the laws of the State of Illinois, United States of America, of 111 West Monroe Street, Chicago, Illinois, and 33rd and Q Streets, South Omaha, Nebraska, United States of America, and elsewhere, Packers.

No. of class: 50.

Description of goods: Polishing preparations and materials.

No. of application: 10280.

Date: 9th March, 1912.

TRADE MARK.



The essential particulars of this trade mark are the device and the word "Dolphin"; and any right to the exclusive use of the added matter is disclaimed.

NAME.

JOHANN GEORGE YAGER, of Peterborough Street, Christchurch, in the Dominion of New Zealand, Boot-manufacturer.

No. of class: 38.

Description of goods: Boots and shoes.

No. of application : 10282.
Date : 11th March, 1912.

TRADE MARK.



KIWI BRAND

The essential particulars of this trade mark are the word "Kiwi" and the distinctive device; and any right to the exclusive use of the added matter is disclaimed.

NAME.

THE WELLINGTON CORDAGE COMPANY, LIMITED, of Wellington, in the Dominion of New Zealand, Cordage-manufacturers.

No. of class : 50.
Description of goods : Cordage, rope, and binder-twine manufactured from textile fibres.

No. of application : 10297.
Date : 16th March, 1912.

TRADE MARK.

The word **WALLABY.**

The essential particular of this trade mark is the word "Wallaby."

NAME.

JAMES PATERSON (Paterson's Manufacturing Company), of Union Street, Auckland, in the Dominion of New Zealand.

No. of class : 3.
Description of goods : Medicines and essential oils included in this class.

No. of application : 10300.
Date : 19th March, 1912.

TRADE MARK.

The word **RHODIA.**

The essential particular of the trade mark is as follows—the word "Rhodia."

NAME.

CHIPMAN LIMITED, of 8-10 Bridge Street, New York, United States of America, and 54 Margaret Street, Sydney, in the State of New South Wales, Commonwealth of Australia, and elsewhere, Merchants.

No. of class : 6.
Description of goods : Engines and motors included in this class.

No. of application : 10301.
Date : 19th March, 1912.

TRADE MARK.

The word **RHODIA.**

The essential particular of the trade mark is as follows—the word "Rhodia."

NAME.

CHIPMAN LIMITED, of 8-10 Bridge Street, New York, United States of America, and 54 Margaret Street, Sydney, in the State of New South Wales, Commonwealth of Australia, and elsewhere, Merchants.

No. of class : 22.
Description of goods : Carriages of all kinds, including motor-cars, motor-lorries, motor-cycles, and cycles included in this class.

No. of application : 10304.
Date : 19th March, 1912.

TRADE MARK.

The word **ATLAS.**

NAME.

H. PRICE AND Co., LIMITED, of Wellington, in the Dominion of New Zealand, General Merchants.

No. of class : 42.
Description of goods : Tea.

No. of application : 10307.
Date : 21st March, 1912.

TRADE MARK.

The word **EU-CAMPH-OL.**

NAME.

JOHN ANTHONY HARRIS, of Grotto Street, Onehunga, in the Dominion of New Zealand, Manufacturer.

No. of class : 3.
Description of goods : A substance for the cure of influenza.

No. of application : 10312.
Date : 26th March, 1912.

TRADE MARK.

The word **ALPHALETTE.**

NAME.

COLTHURST AND HARDING, of 11 Queen Victoria Street, and Alpha Works, Millwall, London, and Phoenix Works and Temple Gate, Bristol, England, White-lead, Paint, Colour, and Varnish Manufacturers, Oil Boilers and Refiners.

No. of class : 1.
Description of goods : Chemical substances used in manufactures, photography, or philosophical research, and anti-corrosives.

No. of application : 10313.
Date : 26th March, 1912.

TRADE MARK.

The word **ORBA.**

NAME.

PETER, CAILLER, KOHLER, CHOCOLATS SUISSES, SOCIÉTÉ ANONYME, of Vevey, Switzerland, Manufacturers.

No. of class : 42.
Description of goods : Chocolate, cocoa, and all food preparations containing chocolate or cocoa.

No. of application : 10314.
Date : 26th March, 1912.

TRADE MARK.

The word **KHOOSH.**

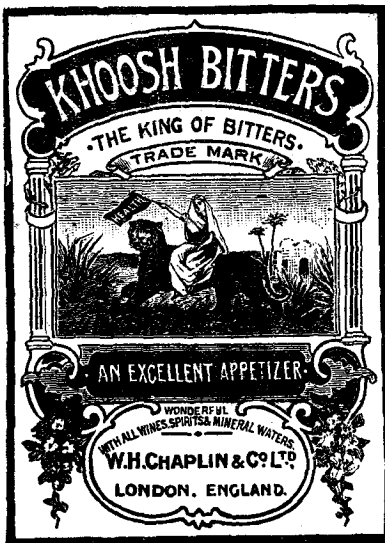
NAME.

W. H. CHAPLIN AND Co., LIMITED, of 48 Mark Lane, London E.C., England, Wine-merchants.

No. of class : 43.
Description of goods : Bitters included in Class 43.

No. of application : 10315.
Date : 26th March, 1913.

TRADE MARK.



The essential particulars of the trade mark are the combination of devices and the word "Khoosh"; and the applicants disclaim any right to the exclusive use of the added matter, except in so far as it consists of their name.

NAME.

W. H. CHAPLIN AND CO., LIMITED, of 48 Mark Lane, London E.C., England, Wine-merchants.

No. of class : 43.
Description of goods : Bitters included in Class 43.

No. of application : 10316.
Date : 26th March, 1912.

TRADE MARK.

The words

SCOTIA LINEN.

The essential particular of this trade mark is the word "Scotia"; and any right to the exclusive use of the word "Linen" is disclaimed.

NAME.

ALEX. PIRIE AND SONS, LIMITED, of Aberdeen, Scotland, Paper, Envelope, and Card Manufacturers.

No. of class : 39.
Description of goods : Stationery—particularly in regard to band and label for envelopes.

J. C. LEWIS,
Registrar.

Trade Marks registered.

LIST of Trade Marks registered from the 15th to the 28th March, 1912, inclusive :—

- No. 8026/9946.—T. MacIntyre and Co. Class 1. (*Gazette* No. 80, of the 19th October.)
No. 8027/9947.—T. MacIntyre and Co. Class 4. (*Gazette* No. 88, of the 2nd November.)
No. 8028/10099.—E. Buxton and Co., Limited. Class 42. (*Gazette* No. 3, of the 11th January.)
No. 8029/10101.—Britten and Bannister, Limited. Class 38. (*Gazette* No. 3, of the 11th January.)
No. 8030/10117.—Maspero Freres, Limited. Class 45. (*Gazette* No. 3, of the 11th January.)
No. 8031/10155.—F. N. Charrington. Class 14. (*Gazette* No. 3, of the 11th January.)
Nos. 8032/10121, 8033/10122, 8034/10123, and 8035/10124.—Reckitt's Over Sea, Limited. Classes 1, 1, 47, 50. (*Gazette* No. 3, of the 11th January.)
No. 8036/10082.—Macandrews and Forbes, Limited. Class 42. (*Gazette* No. 102, of the 14th December.)
No. 8037/10066.—General Roofing Manufacturing Company, Limited. Class 17. (*Gazette* No. 3, of the 11th January.)

No. 8038/10109.—North's Portland Cement and Brick Works Société Anonyme. Class 17. (*Gazette* No. 3, of the 11th January.)

No. 8049/9522.—Ansell and Spencer. Class 5. (*Gazette* No. 33, of the 20th April.)

No. 8041/9520.—W. Steer. Class 50. (*Gazette* No. 33, of the 20th April.)

No. 8042/9717.—H. Goodacre. Class 50. (*Gazette* No. 72, of the 7th September.)

Trade Mark Renewal Fees paid.

FEEES paid for the renewal of the undermentioned Trade Marks for fourteen years from the date first mentioned :—

No. 2319/1858.—23rd March, 1912.—Marshall's Chemical Company, Limited, Dunedin, N.Z. 23rd March, 1912.

No. 2326/1996.—28th March, 1912.—J. H. Todd and Son, Victoria, B.C. 19th March, 1912.

No. 2369/1898.—26th May, 1912.—R. Harper and Co. Proprietary, Limited, Melbourne, Vic. 27th March, 1912.

Nos. 2375/1900 and 2376/1901.—30th May, 1912.—The Eramie Company, Limited, Warrington, Eng. 26th March, 1912.

No. 2396/1927.—21st June, 1912.—D. Anderson and Son, Wellington, N.Z.—26th March, 1912.

Trade Marks removed from the Register.

TRADe Marks removed from the Register owing to the non-payment of the renewal fees, from the 15th to the 28th March, 1912, inclusive :—

Nos. 2228/1789, 2229/1790, and 2230/1798.—17th December, 1897.—The Maypole Company, Limited, London, Eng. Classes 1, 4, and 47.

No. 2232/1781.—17th December, 1897.—Allison, Taylor, and Co., London, Eng. Class 5.

No. 2233/1931.—18th December, 1897.—J. W. Henderson, Auckland, N.Z. Class 42.

No. 2234/1771.—20th December, 1897.—G. E. Wharton, Gore, N.Z. Class 48.

No. 2236/1791.—21st December, 1897.—J. Ferguson and Co., Melbourne, Vic. Class 43.

No. 2237/1792.—23rd December, 1897.—Jadoo Limited, Exeter, Eng. Class 2.

Subsequent Proprietors of Trade Marks registered.

[NOTE.—The name of the former proprietor is given in brackets; the date is that of registration.]

NOS. 85/1126, 7224/5872, 7225/5873, 7226/5874, 7227/5875, 7228/5876, 7229/5877, 7230/5878, 7231/5879, 7232/5880, 7233/5881, 7234/5882, 7245/5893, 7263/5894.—Felten and Guilleaume Cariswerk Actien-Gesellschaft, of Schauenstrasse 24, Mulheim-on-the-Rhine, Germany, Cable-manufacturers. (Felten and Guilleaume Lahmeyerwerke Actien-Gesellschaft.) 23rd March, 1912.

No. 2324/1930.—Tooth and Co., Limited, having its registered office at Sydney, New South Wales, Australia, Aerated-water Manufacturers and Brewers. (L. Thompson—J. Morgan and C. F. Dautreband.) 23rd March, 1912.

No. 7015/5826.—The N. and R. Manufacturing Company, Limited, of 77 Westwick Street, in the City of Norwich, England, Manufacturing Chemists. (J. Chapman and Co., Limited.) 21st March, 1912.

No. 8224/6960.—Edward Shee Evelyn, Gentleman, and Henry Thomson Gorrie, Auctioneer, both of Auckland, New Zealand. (S. Chatterton.) 25th March, 1912.

Application for Trade Mark opposed.

NOTICE of opposition has been filed in the following case :—

No. 10077.—Thomson, Lewis, and Co. Opposed by Schweppes Limited.

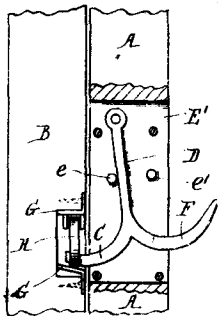
Request for Correction of Clerical Error in Application for Trade Mark.

THE request for correction of the name in application for Trade Mark No. 9971/7917 (advertised in Supplement to *New Zealand Gazette*, No. 18, of the 22nd February, 1912) has been allowed.

ILLUSTRATIONS OF INVENTIONS.

[These illustrations refer to the complete specifications accepted, and advertised in this *Gazette*.]

FIG. 1



Gate, etc. fastener. *Player*. 29510.

FIG 1



Billiard table bed lowering, etc. *Mc Gill*. 29648.

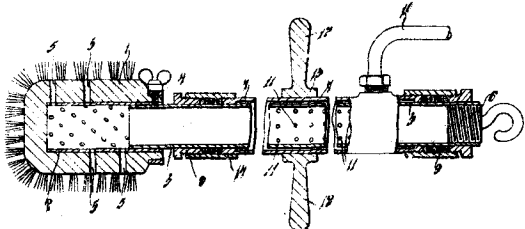
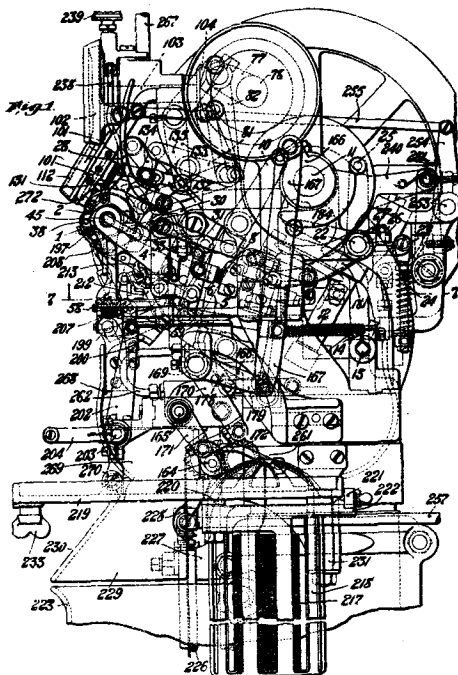


FIG. 1.

Utensil cleaning apparatus. *Mc Sweeney*. 29699.



Sewing machine. *United Shoe Machinery Co. Ashworth*. 29748.

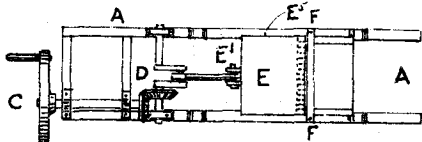
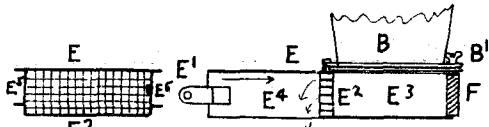


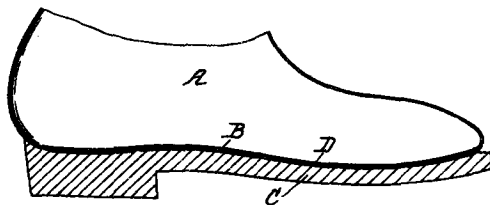
FIG 2



FIGS

FIG 4

Curd breaker & cutter. *Hunter*. 29783.



Boot former. 30109.

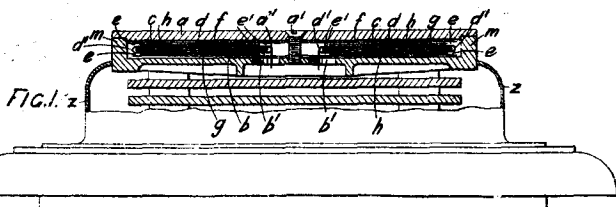
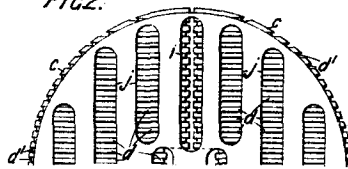
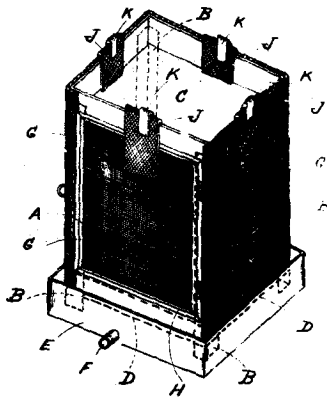


FIG. 1. z

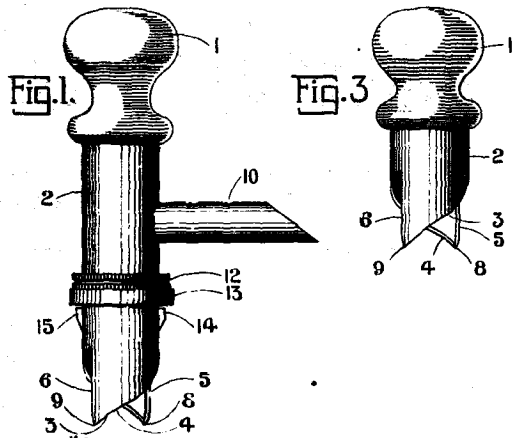
FIG. 2.



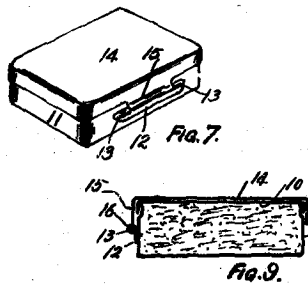
Electric heater. *Perry*. 30897.



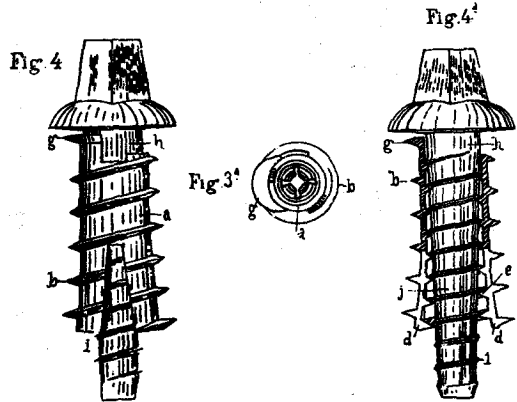
Safe. Cunningham. 30879.



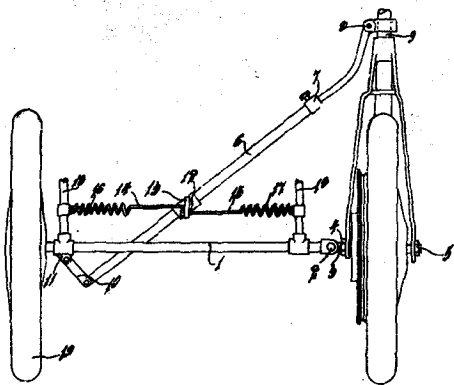
Kerosene tin cutter & draw-off pipe. Penfold, Wallace & Macdonald. 30880.



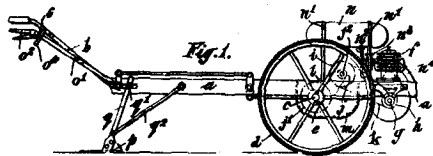
Knob hinge. British-Australasian Tobacco Co. Proprietary L^{td} (Shaw) 30893.



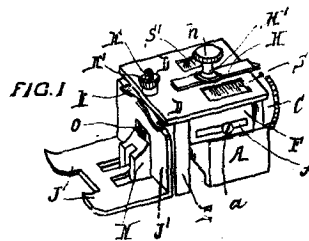
Screw bolt, etc., Wagner. 30942.



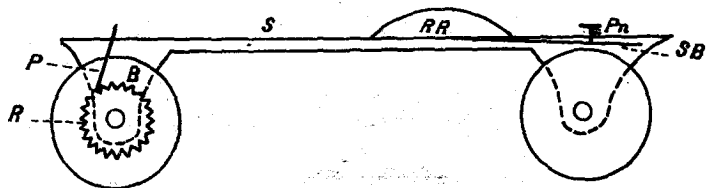
Cycle side car. Sinclair. 30918.



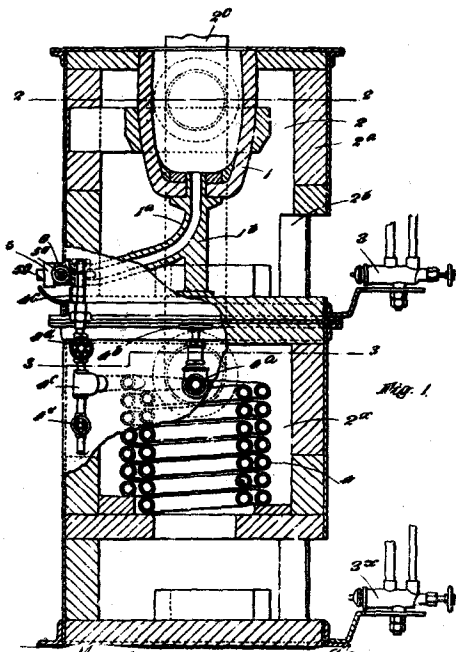
Motor cultivator. Nyles. 30944.



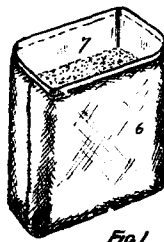
Printing machine feed guide. Roberts. 30945.



Roller skate. Galbraith. 29446.

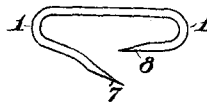


Metal, etc, atomizing. Chemical Process Co. (Niel). 30940.

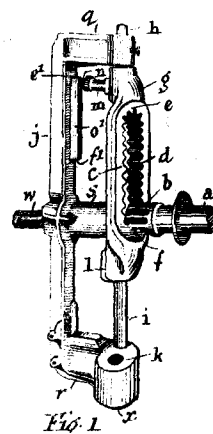


Bag. Joyce. 30258.

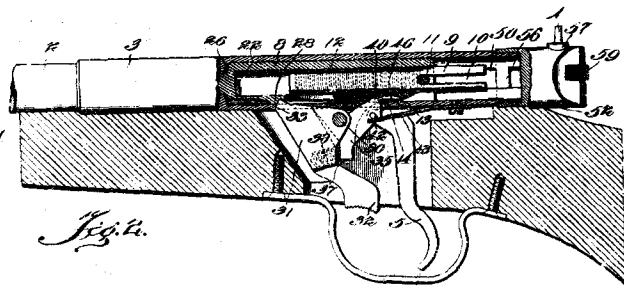
Fig. 1



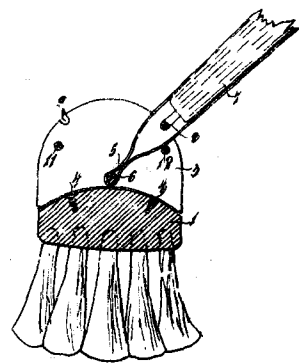
Boat, etc, hook. Hughes Patents Proprietors (Hughes) 30959.



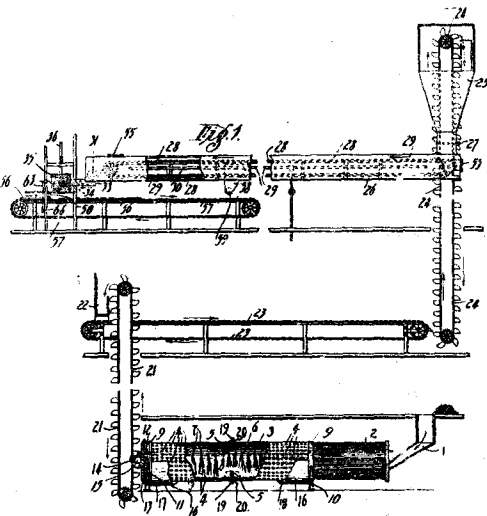
Wind-mill motion. Hecker & Absolom. 30952.



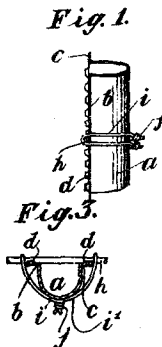
Firearm. Ross. 30963.



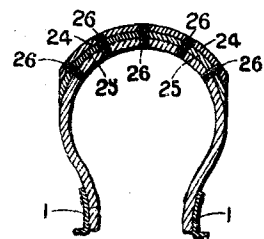
Broom handle holder. Poundree. 30966.



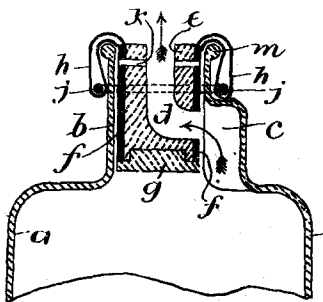
Potato treatment. Holden. 29592.



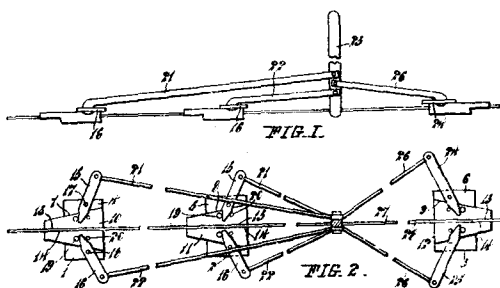
Wire fencing. Pain. 30894.



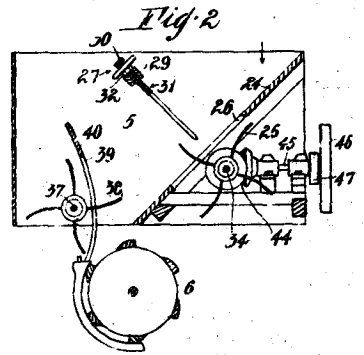
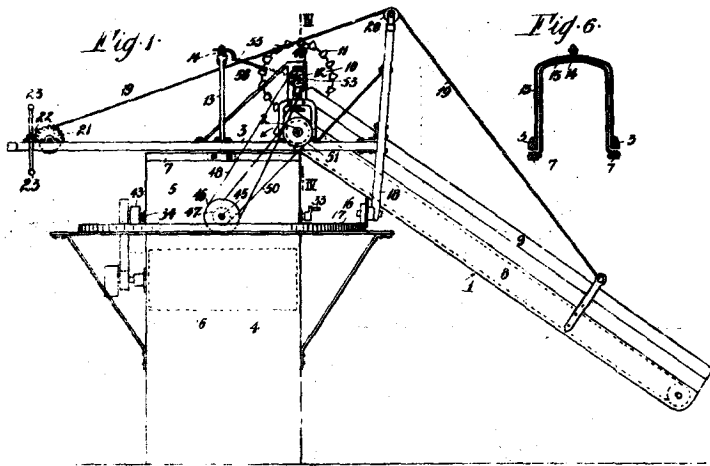
Pneumatic tyre. Salmon & Roy. 30725.



Bottle. Thomson. 30913



Wire strainer. Cooks. 29688



Thresher feed mechanism. Sides. 30196.

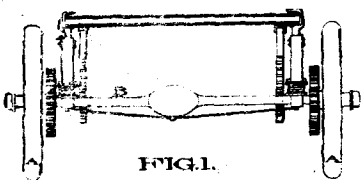


FIG. 1.

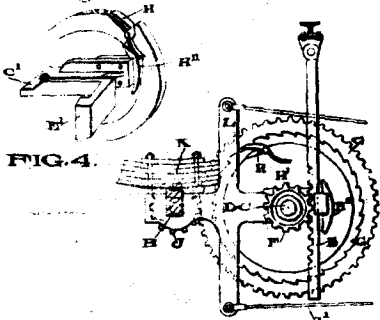
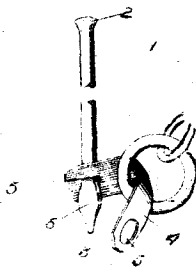


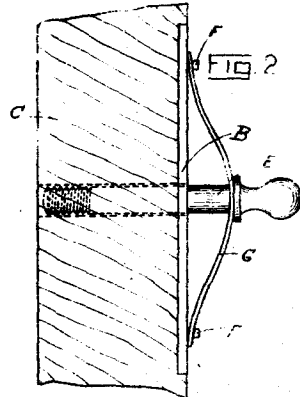
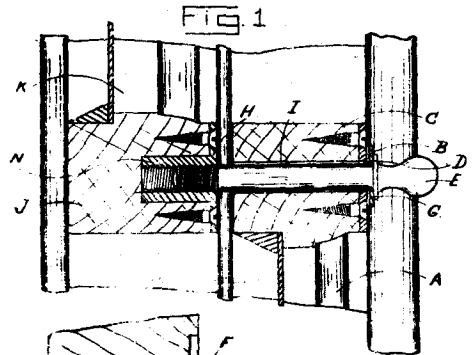
FIG. 2.

Motor car jolt preventer. Pope. 30670

FIG. 1



Shackles peg
Abie Gregor. 29585



Window etc fastener. Jacobsen. 30372.

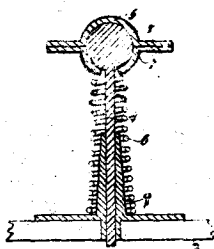


FIG. 1.

Spring seat. Droulege. 29621.

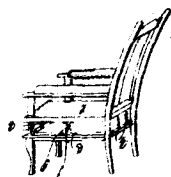


FIG. 1.

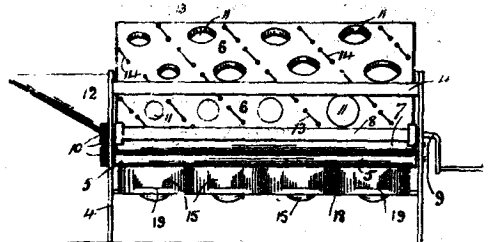
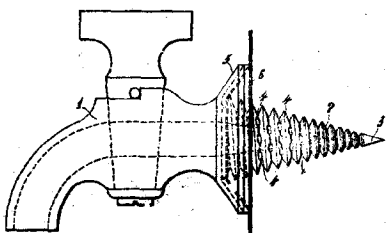


Fig. 1



Kerosene tin piercer, etc. Searle. 30189

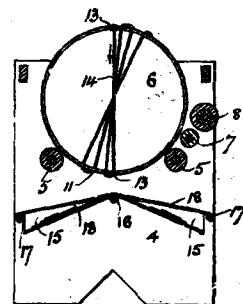


Fig. 2

Fruit grader. Watson. 30886.